

Lead-Acid Fast-Charge IC

Features

- ▶ Conforms to battery manufacturers' charge recommendations for cyclic and float charge
- ▶ Pin-selectable charge algorithms
 - Two-Step Voltage with temperature-compensated constant-voltage maintenance
 - Two-Step Current with constant-rate pulsed current maintenance
 - Pulsed Current: hysteretic, on-demand pulsed current
- ▶ Pin-selectable charge termination by maximum voltage, Δ^2V , minimum current, and maximum time
- ▶ Pre-charge qualification detects shorted, opened, or damaged cells and conditions battery
- ▶ Charging continuously qualified by temperature and voltage limits
- ▶ Internal temperature-compensated voltage reference
- ▶ Pulse-width modulation control

- Ideal for high-efficiency switch-mode power conversion
- Configurable for linear or gated current use
- ▶ Direct LED control outputs display charge status and fault conditions

General Description

The bq2031 Lead-Acid Fast Charge IC is designed to optimize charging of lead-acid chemistry batteries. A flexible pulse-width modulation regulator allows the bq2031 to control constant-voltage, constant-current, or pulsed-current charging. The regulator frequency is set by an external capacitor for design flexibility. The switch-mode design keeps power dissipation to a minimum for high charge current applications.

A charge cycle begins when power is applied or the battery is replaced. For safety, charging is inhibited until the battery voltage is within configured limits. If the battery voltage is less than the low-voltage threshold, the bq2031 provides trickle-current

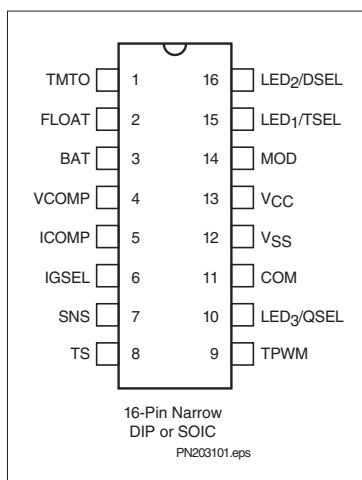
charging until the voltage rises into the allowed range or an internal timer runs out and places the bq2031 in a Fault condition. This procedure prevents high-current charging of cells that are possibly damaged or reversed. Charging is inhibited anytime the temperature of the battery is outside the configurable, allowed range. All voltage thresholds are temperature-compensated.

The bq2031 terminates fast (bulk) charging based on the following:

- Maximum voltage
- Second difference of cell voltage (Δ^2V)
- Minimum current (in constant-voltage charging)
- Maximum time-out (MTO)

After bulk charging, the bq2031 provides temperature-compensated maintenance (float) charging to maintain battery capacity.

Pin Connections



Pin Names

TMTO	Time-out timebase input	LED ₃ /QSEL	Charge status output 3/ Charge algorithm select input 1
FLOAT	State control output	COM	Common LED output
BAT	Battery voltage input	V _{SS}	System ground
VCOMP	Voltage loop comp input	V _{CC}	5.0V±10% power
ICOMP	Current loop comp input	MOD	Modulation control output
IGSEL	Current gain select input	LED ₁ /TSEL	Charge status output 1/ Charge algorithm select input 2
SNS	Sense resistor input	LED ₂ /DSEL	Charge status output 2/ Display select input
TS	Temperature sense input		
TPWM	Regulator timebase input		

Pin Descriptions

TMTO	Time-out timebase input
	This input sets the maximum charge time. The resistor and capacitor values are determined using equation 6. Figure 9 shows the resistor/capacitor connection.
FLOAT	Float state control output
	This open-drain output uses an external resistor divider network to control the BAT input voltage threshold (V_{FLT}) for the float charge regulation. See Figure 1.
BAT	Battery voltage input
	BAT is the battery voltage sense input. This potential is generally developed using a high-impedance resistor divider network connected between the positive and the negative terminals of the battery. See Figure 6 and equation 2.
VCOMP	Voltage loop compensation input
	This input uses an external C or R-C network for voltage loop stability.
IGSEL	Current gain select input
	This three-state input is used to set I_{MIN} for fast charge termination in the Two-Step Voltage algorithm and for maintenance current regulation in the Two-Step Current algorithm. See Tables 3 and 4.
ICOMP	Current loop compensation input
	This input uses an external C or R-C network for current loop stability.
SNS	Charging current sense input
	Battery current is sensed via the voltage developed on this pin by an external sense resistor, R_{SNS} , connected in series with the low side of the battery. See equation 8.
TS	Temperature sense input
	This input is for an external battery temperature monitoring thermistor or probe. An external resistor divider network sets the lower and upper temperature thresholds. See Figures 7 and 8 and equations 4 and 5.

TPWM	Regulation timebase input
	This input uses an external timing capacitor to ground the pulse-width modulation (PWM) frequency. See equation 9.
COM	Common LED output
	Common output for LED ₁₋₃ . This output is in a high-impedance state during initialization to read program inputs on TSEL, QSEL, and DSEL.
QSEL	Charge regulation select input
	With TSEL, selects the charge algorithm. See Table 1.
MOD	Current-switching control output
	MOD is a pulse-width modulated push/pull output that is used to control the charging current to the battery. MOD switches high to enable current flow and low to inhibit current flow.
LED₁₋₃	Charger display status 1–3 outputs
	These charger status output drivers are for the direct drive of the LED display. Display modes are shown in Table 2. These outputs are tri-stated during initialization so that QSEL, TSEL, and DSEL can be read.
DSEL	Display select input
	This three-level input controls the LED ₁₋₃ charge display modes. See Table 2.
TSEL	Termination select input
	With QSEL, selects the charge algorithm. See Table 1.
Vcc	Vcc supply
	5.0V, ± 10% power
Vss	Ground

Functional Description

The bq2031 functional operation is described in terms of:

- Charge algorithms
- Charge qualification
- Charge status display
- Voltage and current monitoring
- Temperature monitoring

- Fast charge termination
- Maintenance charging
- Charge regulation

Charge Algorithms

Three charge algorithms are available in the bq2031:

- Two-Step Voltage
- Two-Step Current
- Pulsed Current

The state transitions for these algorithms are described in Table 1 and are shown graphically in Figures 2 through 4. The user selects a charge algorithm by configuring pins QSEL and TSEL.

Charge Qualification

The bq2031 starts a charge cycle when power is applied while a battery is present or when a battery is inserted. Figure 1 shows the state diagram for pre-charge qualification and temperature monitoring. The bq2031 first checks that the battery temperature is within the allowed, user-configurable range. If the temperature is out-of-range (or the thermistor is missing), the bq2031 enters the Charge Pending state and waits until the battery temperature is within the allowed range. Charge Pending is announced by LED₃ flashing.

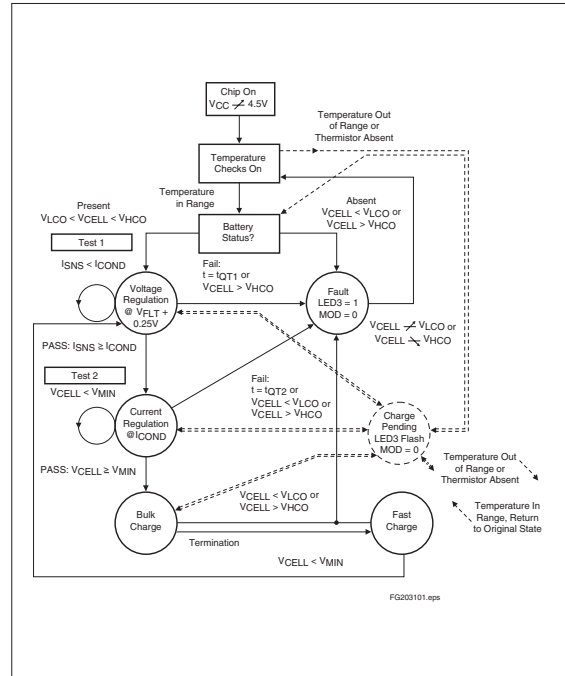


Figure 1. Cycle Start/Battery Qualification State Diagram

Table 1. bq2031 Charging Algorithms

Algorithm/State	QSEL	TSEL	Conditions	MOD Output
Two-Step Voltage	L	H/L ^{Note 1}	-	-
Fast charge, phase 1			while $V_{BAT} < V_{BLK}$, $I_{SNS} = I_{MAX}$	Current regulation
Fast charge, phase 2			while $I_{SNS} > I_{MIN}$, $V_{BAT} = V_{BLK}$	Voltage regulation
Primary termination			$I_{SNS} = I_{MIN}$	
Maintenance			$V_{BAT} = V_{FLT}$	Voltage regulation
Two-Step Current	H	L	-	-
Fast charge			while $V_{BAT} < V_{BLK}$, $I_{SNS} = I_{MAX}$	Current regulation
Primary termination			$V_{BAT} = V_{BLK}$ or $\Delta^2V < -8mV$ ^{Note 2}	
Maintenance			I_{SNS} pulsed to average I_{FLT}	Fixed pulse current
Pulsed Current	H	H	-	-
Fast charge			while $V_{BAT} < V_{BLK}$, $I_{SNS} = I_{MAX}$	Current regulation
Primary termination			$V_{BAT} = V_{BLK}$	
Maintenance			$I_{SNS} = I_{MAX}$ after $V_{BAT} = V_{FLT}$; $I_{SNS} = 0$ after $V_{BAT} = V_{BLK}$	Hysteretic pulsed current

- Notes:**
1. May be high or low, but do not float.
 2. A Unitrode proprietary algorithm for accumulating successive differences between samples of V_{BAT} .

bq2031

Thermal monitoring continues throughout the charge cycle, and the bq2031 enters the Charge Pending state anytime the temperature is out of range. (There is one exception; if the bq2031 is in the Fault state—see below—the out-of-range temperature is not recognized until the bq2031 leaves the Fault state.) All timers are suspended (but not reset) while the bq2031 is in Charge Pending. When the temperature comes back into range, the bq2031 returns to the point in the charge cycle where the out-of-range temperature was detected.

When the temperature is valid, the bq2031 performs two tests on the battery. In test 1, the bq2031 regulates a voltage of $V_{FLT} + 0.25V$ across the battery and observes I_{SNS} . If I_{SNS} does not rise to at least I_{COND} within a time-out period (e.g., the cell has failed open), the bq2031 enters the Fault state. If test 1 passes, the bq2031 then regulates current to I_{COND} ($= I_{MAX}/5$) and watches V_{CELL} ($= V_{BAT} - V_{SNS}$). If V_{CELL} does not rise to at least V_{FLT} within a time-out period (e.g., the cell has failed short), again the bq2031 enters the Fault state. A hold-off period is enforced at the beginning of qualification

test 2 before the bq2031 recognizes its “pass” criterion. If this second test passes, the bq2031 begins fast (bulk) charging.

Once in the Fault state, the bq2031 waits until V_{CC} is cycled or a battery insertion is detected. It then starts a new charge cycle and begins the qualification process again.

Charge Status Display

Charge status is announced by the LED driver outputs LED_1 – LED_3 . Three display modes are available in the bq2031; the user selects a display mode by configuring pin DSEL. Table 2 shows the three modes and their programming pins.

The bq2031 does not distinguish between an over-voltage fault and a “battery absent” condition. The bq2031 enters the Fault state, announced by turning on LED_3 , whenever the battery is absent. The bq2031, therefore, gives an indication that the charger is on even when no battery is in place to be charged.

Table 2. bq2031 Display Output Summary

Mode	Charge Action State	LED_1	LED_2	LED_3
DSEL = 0 (Mode 1)	Battery absent or over-voltage fault	Low	Low	High
	Pre-charge qualification	Flash	Low	Low
	Fast charging	High	Low	Low
	Maintenance charging	Low	High	Low
	Charge pending (temperature out of range)	X	X	Flash
	Charging fault	X	X	High
DSEL = 1 (Mode 2)	Battery absent or over-voltage fault	Low	Low	High
	Pre-charge qualification	High	High	Low
	Fast charge	Low	High	Low
	Maintenance charging	High	Low	Low
	Charge pending (temperature out of range)	X	X	Flash
	Charging fault	X	X	High
DSEL = Float (Mode 3)	Battery absent or over-voltage fault	Low	Low	High
	Pre-charge qualification	Flash	Flash	Low
	Fast charge: current regulation	Low	High	Low
	Fast charge: voltage regulation	High	High	Low
	Maintenance charging	High	Low	Low
	Charge pending (temperature out of range)	X	X	Flash
	Charging fault	X	X	High

Notes: 1 = V_{CC} ; 0 = V_{SS} ; X = LED state when fault occurred; Flash = $\frac{1}{6}$ s low, $\frac{1}{6}$ s high.

In the Pulsed Current algorithm, the bq2031 announces maintenance when charging current is off and fast charge whenever charging current is on.

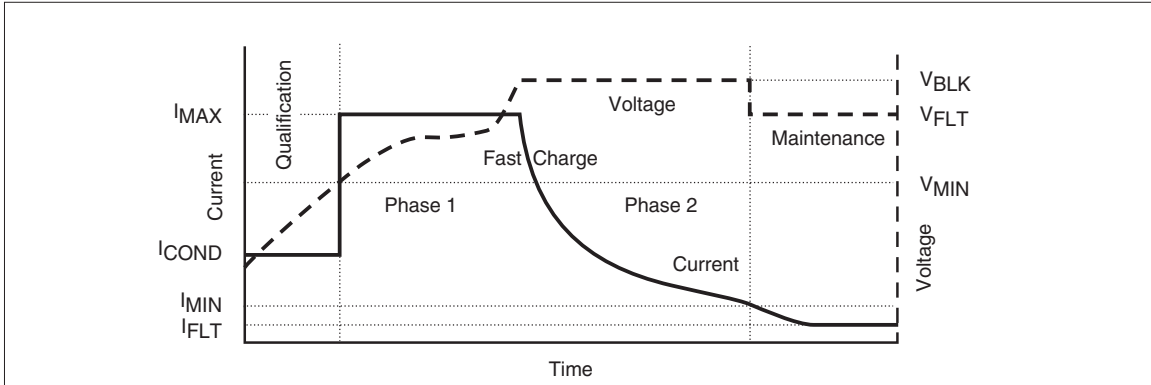


Figure 2. Two-Step Voltage Algorithm

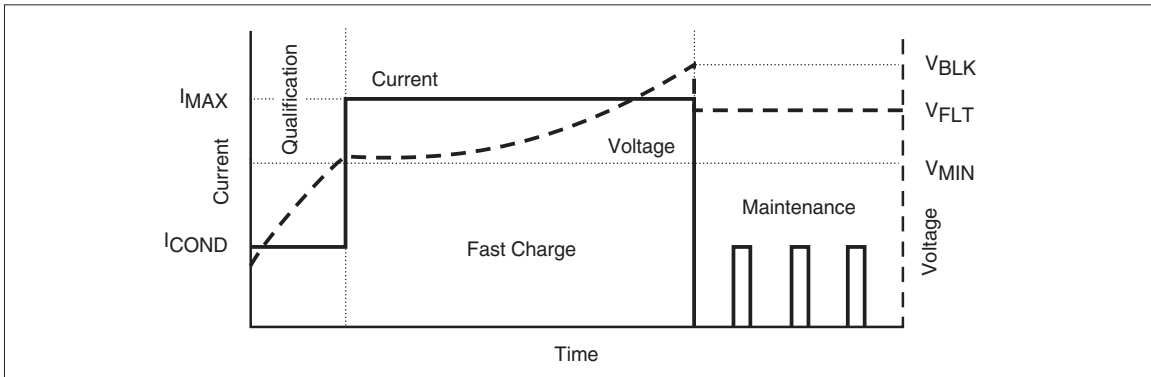


Figure 3. Two-Step Current Algorithm

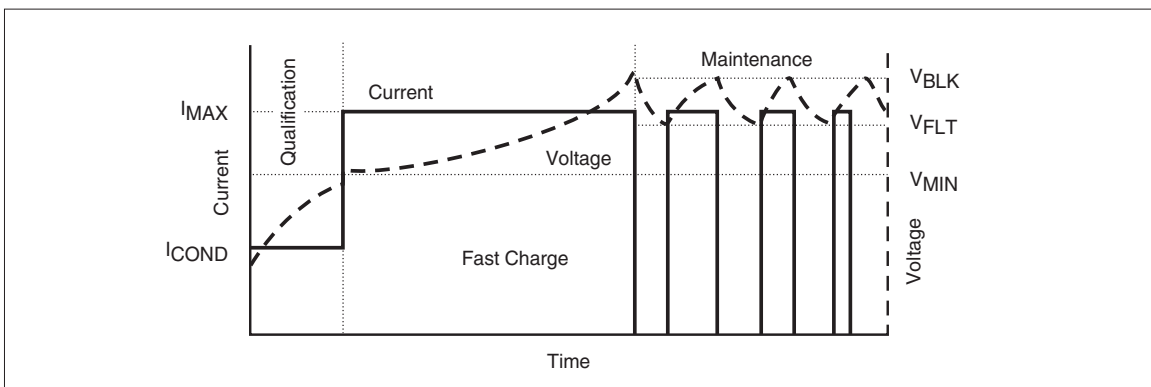


Figure 4. Pulsed Current Algorithm

bq2031

Configuring Algorithm and Display Modes

QSEL/LED₃, DSEL/LED₂, and TSEL/LED₁ are bi-directional pins with two functions; they are LED driver pins as outputs and programming pins for the bq2031 as inputs. The selection of pull-up, pull-down, or no pull resistor programs the charging algorithm on QSEL and TSEL per Table 1 and the display mode on DSEL per Table 2. The bq2031 latches the program states when any of the following events occurs:

1. VCC rises to a valid level.
2. The bq2031 leaves the Fault state.
3. The bq2031 detects battery insertion.

The LEDs go blank for approximately 750ms (typical) while new programming data is latched.

For example, Figure 5 shows the bq2031 configured for the Pulsed Current algorithm and display mode 2.

Voltage and Current Monitoring

The bq2031 monitors battery pack voltage at the BAT pin. A voltage divider between the positive and negative terminals of the battery pack is used to present a scaled battery pack voltage to the BAT pin and an appropriate value for regulation of float (maintenance) voltage to the FLOAT pin. The bq2031 also uses the voltage across a

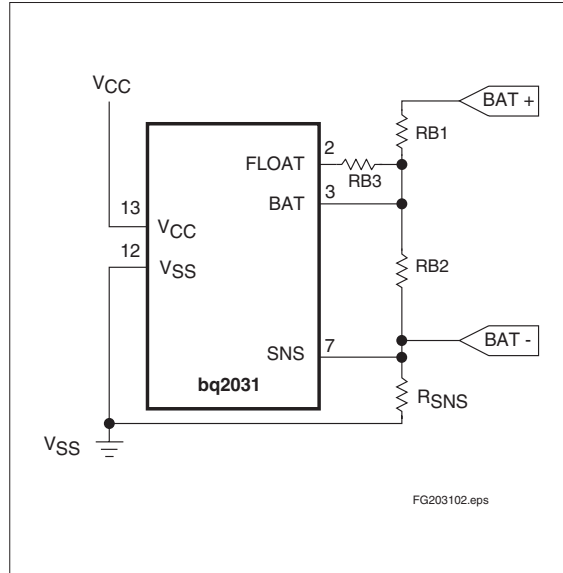


Figure 6. Configuring the Battery Divider

sense resistor (R_{SNS}) between the negative terminal of the battery pack and ground to monitor current. See Figure 6 for the configuration of this network.

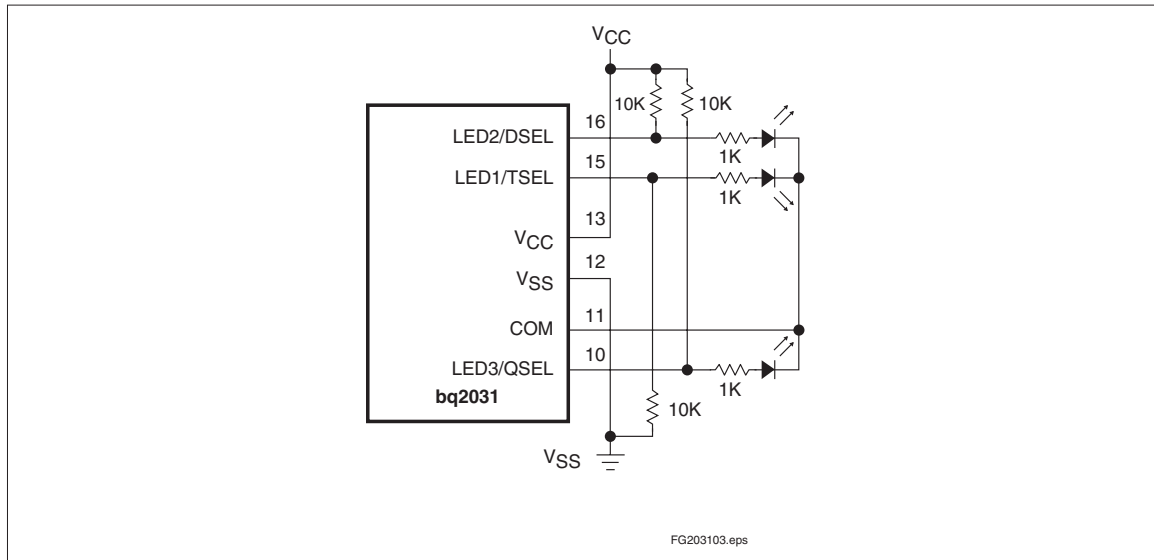


Figure 5. Configuring Charging Algorithm and Display Mode

The resistor values are calculated from the following:

Equation 1

$$\frac{RB1}{RB2} = \frac{(N * V_{FLT})}{2.2V} - 1$$

Equation 2

$$\frac{RB1}{RB2} + \frac{RB1}{RB3} = \left(\frac{N * V_{BLK}}{2.2} \right) - 1$$

Equation 3

$$I_{MAX} = \frac{0.250V}{R_{SNS}}$$

where:

- N = Number of cells
- V_{FLT} = Desired float voltage
- V_{BLK} = Desired bulk charging voltage
- I_{MAX} = Desired maximum charge current

These parameters are typically specified by the battery manufacturer. The total resistance presented across the battery pack by RB1 + RB2 should be between 150kΩ and 1MΩ. The minimum value ensures that the divider network does not drain the battery excessively when the power source is disconnected. Exceeding the maximum value increases the noise susceptibility of the BAT pin.

An empirical procedure for setting the values in the resistor network is as follows:

1. Set RB2 to 49.9 kΩ. (for 3 to 18 series cells)
2. Determine RB1 from equation 1 given V_{FLT}
3. Determine RB3 from equation 2 given V_{BLK}
4. Calculate R_{SNS} from equation 3 given I_{MAX}

Battery Insertion and Removal

The bq2031 uses V_{BAT} to detect the presence or absence of a battery. The bq2031 determines that a battery is present when V_{BAT} is between the High-Voltage Cutoff (V_{HCO} = 0.6 * V_{CC}) and the Low-Voltage Cutoff (V_{LCO} = 0.8V). When V_{BAT} is outside this range, the bq2031 determines that no battery is present and transitions to the Fault state. Transitions into and out of the range between V_{LCO} and V_{HCO} are treated as battery insertions and removals, respectively. Besides being used to detect battery insertion, the V_{HCO} limit implicitly serves as an over-voltage charge termination, because exceeding this limit causes the bq2031 to believe that the battery has been removed.

The user must include a pull-up resistor from the positive terminal of the battery stack to VDC (and a diode to prevent battery discharge through the power supply when the supply is turned off) in order to detect battery removal during periods of voltage regulation. Voltage regulation occurs in pre-charge qualification test 1 prior to all of the fast charge algorithms, and in phase 2 of the Two-Step Voltage fast charge algorithm.

Temperature Monitoring

The bq2031 monitors temperature by examining the voltage presented between the TS and SNS pins (V_{TEMP}) by a resistor network that includes a Negative Temperature Coefficient (NTC) thermistor. Resistance variations around that value are interpreted as being proportional to the battery temperature (see Figure 7).

The temperature thresholds used by the bq2031 and their corresponding TS pin voltage are:

- TCO—Temperature cutoff—Higher limit of the temperature range in which charging is allowed. V_{TCO} = 0.4 * V_{CC}
- HTF—High-temperature fault—Threshold to which temperature must drop after temperature cutoff is exceeded before charging can begin again. V_{HTF} = 0.44 * V_{CC}

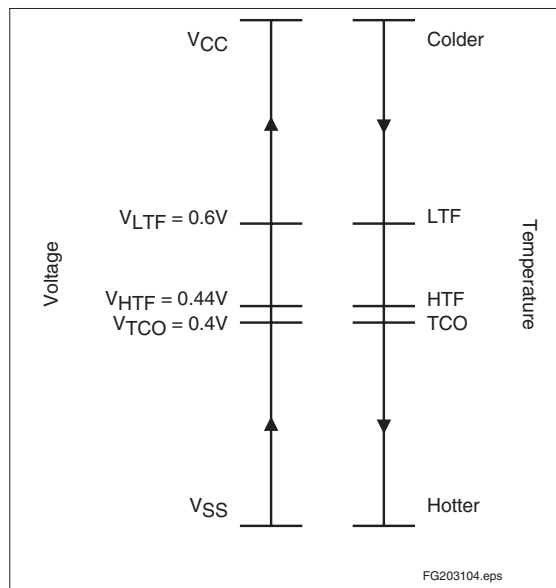


Figure 7. Voltage Equivalent of Temperature Thresholds

bq2031

- LTF—Low-temperature fault—Lower limit of the temperature range in which charging is allowed. $V_{LTF} = 0.6 * V_{CC}$

A resistor-divider network must be implemented that presents the defined voltage levels to the TS pin at the desired temperatures (see Figure 8).

The equations for determining RT1 and RT2 are:

Equation 4

$$0.6 * V_{CC} = \frac{(V_{CC} - 0.250V)}{1 + \frac{RT1 * (RT2 + R_{LTF})}{(RT2 * R_{LTF})}}$$

Equation 5

$$0.44 = \frac{1}{1 + \frac{RT1 * (RT2 + R_{HTF})}{(RT2 * R_{HTF})}}$$

where:

- R_{LTF} = thermistor resistance at LTF
- R_{HTF} = thermistor resistance at HTF

TCO is determined by the values of RT1 and RT2. 1% resistors are recommended.

Disabling Temperature Sensing

Temperature sensing can be disabled by removing RT and using a 100kΩ resistor for RT1 and RT2.

Temperature Compensation

The internal voltage reference used by the bq2031 for all voltage threshold determinations is compensated for temperature. The temperature coefficient is -3.9mV/°C, normalized to 25°C. Voltage thresholds in the bq2031 vary by this proportion as ambient conditions change.

Fast-Charge Termination

Fast-charge termination criteria are programmed with the fast charge algorithm per Table 1. Note that not all criteria are applied in all algorithms.

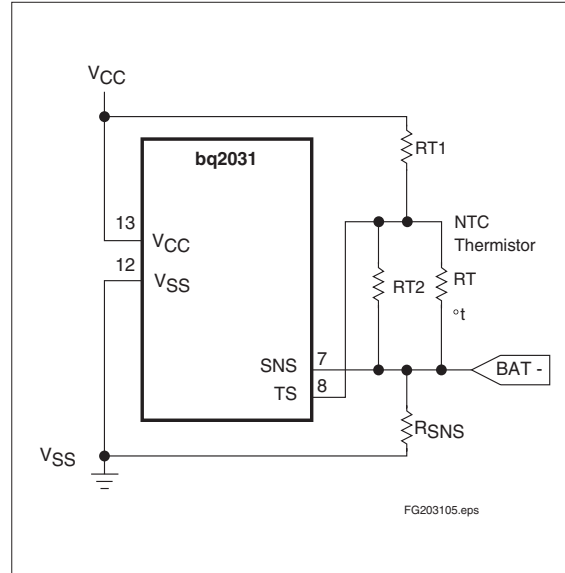


Figure 8. Configuring Temperature Sensing

Minimum Current

Fast charge terminates when the charging current drops below a minimum current threshold programmed by the value of IGSEL (see Table 3). This is used by the Two-Step Voltage algorithm.

Table 3. I_{MIN} Termination Thresholds

IGSEL	I _{MIN}
0	I _{MAX} /10
1	I _{MAX} /20
Z	I _{MAX} /30

Second Difference (Δ^2V)

Second difference is a Unirode proprietary algorithm that accumulates the difference between successive samples of V_{BAT} . The bq2031 takes a sample and makes a termination decision at a frequency equal to $0.008 * t_{MTO}$. Fast charge terminates when the accumulated difference is $\leq -8mV$. Second difference is used only in the Two-Step Current algorithm, and is subject to a hold-off period (see below).

Maximum Voltage

Fast charge terminates when $V_{CELL} \geq V_{BLK}$. V_{BLK} is set per equation 2. Maximum voltage is used for fast charge termination in the Two-Step Current and Pulsed Current algorithms, and for transition from phase 1 to phase 2 in the Two-Step Voltage algorithm. This criterion is subject to a hold-off period.

Hold-off Periods

Maximum V and Δ^2V termination criteria are subject to a hold-off period at the start of fast charge equal to $0.15 * t_{MTO}$. During this time, these termination criteria are ignored.

Maximum Time-Out

Fast charge terminates if the programmed MTO time is reached without some other termination shutting off fast charge. MTO is programmed from 1 to 24 hours by an R-C network on TMTO (see Figure 9) per the equation:

Equation 6

$$t_{MTO} = 0.5 * R * C$$

where R is in k Ω , C is in μF , and t_{MTO} is in hours. Typically, the maximum value for C of 0.1 μF is used.

Fast-charge termination by MTO is a Fault only in the Pulsed Current algorithm; the bq2031 enters the Fault state and waits for a new battery insertion, at which time it begins a new charge cycle. In the Two-Step Voltage and Two-Step Current algorithms, the bq2031 transitions to the maintenance phase on MTO time-out.

The MTO timer starts at the beginning of fast charge. In the Two-Step Voltage algorithm, it is cleared and restarted when the bq2031 transitions from phase 1 (current regulation) to phase 2 (voltage regulation). The MTO timer is suspended (but not reset) during the out-of-range temperature (Charge Pending) state.

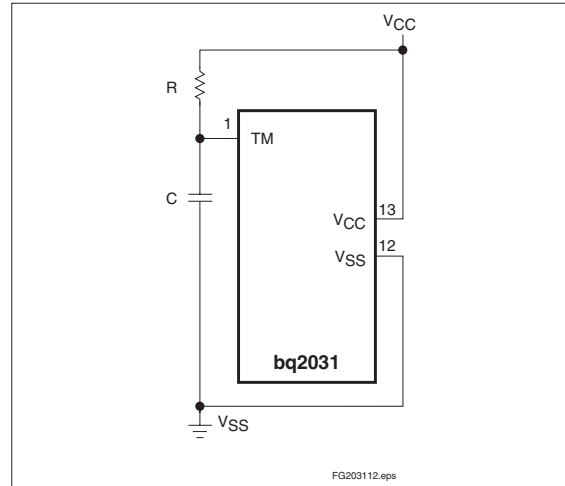


Figure 9. R-C Network for Setting MTO

Maintenance Charging

Three algorithms are used in maintenance charging:

- Two-Step Voltage algorithm
- Two-Step Current algorithm
- Pulsed Current algorithm

Two-Step Voltage Algorithm

In the Two-Step Voltage algorithm, the bq2031 provides charge maintenance by regulating charging voltage to V_{FLT} . Charge current during maintenance is limited to I_{COND} .

Two-Step Current Algorithm

Maintenance charging in the Two-Step Current Algorithm is implemented by varying the period (T_P) of a fixed current ($I_{COND} = I_{MAX}/5$) and duration (0.2 seconds) pulse to achieve the configured average maintenance current value. See Figure 10.

Maintenance current can be calculated by:

Equation 7

$$\text{Maintenance current} = \frac{((0.2) * I_{COND})}{T_P} = \frac{((0.04) * I_{MAX})}{T_P}$$

where T_P is the period of the waveform in seconds.

Table 4 gives the values of P programmed by IGSEL.

bq2031

Table 4. Fixed-Pulse Period by IGSEL

IGSEL	T _P (sec.)
L	0.4
H	0.8
Z	1.6

Pulsed Current Algorithm

In the Pulsed Current algorithm, charging current is turned off after the initial fast charge termination until V_{CELL} falls to V_{FLT}. Full fast charge current (I_{MAX}) is then re-enabled to the battery until V_{CELL} rises to V_{BLK}. This cycle repeats indefinitely.

Charge Regulation

The bq2031 controls charging through pulse-width modulation of the MOD output pin, supporting both constant-current and constant-voltage regulation. Charge current is monitored by the voltage at the SNS pin, and charge voltage by voltage at the BAT pin. These voltages are compared to an internal temperature-compensated reference, and the MOD output modulated to maintain the desired value.

Voltage at the SNS pin is determined by the value of resistor R_{SNS}, so nominal regulated current is set by:

Equation 8

$$I_{MAX} = 0.250V/R_{SNS}$$

The switching frequency of the MOD output is determined by an external capacitor (C_{PWM}) between the pin TPWM and ground, per the following:

Equation 9

$$F_{PWM} = 0.1/C_{PWM}$$

where C is in μF and F is in kHz. A typical switching rate is 100kHz, implying C_{PWM} = 0.001μF. MOD pulse width is modulated between 0 and 80% of the switching period.

To prevent oscillation in the voltage and current control loops, frequency compensation networks (C or R-C) are typically required on the VCOMP and ICOMP pins (respectively) to add poles and zeros to the loop control equations. A software program, “CNFG2031,” is available to assist in configuring these networks for buck type regulators. For more detail on the control loops in buck topology, see the application note, “Switch-Mode Power Conversion Using the bq2031.” For assistance with other power supply topologies, contact the factory.

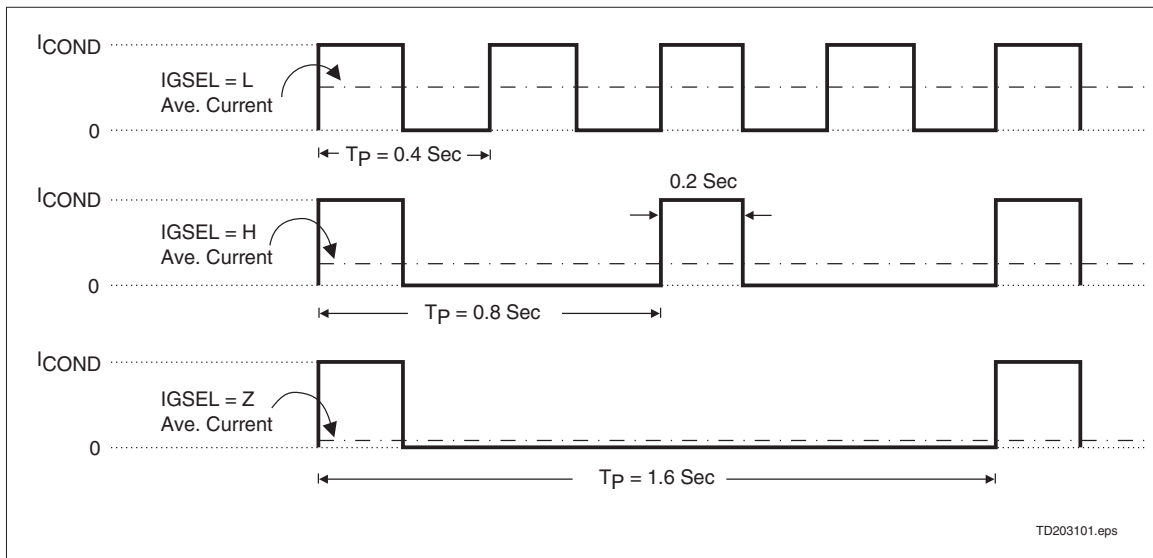


Figure 10. Implementation of Fixed-Pulse Maintenance Charge

Absolute Maximum Ratings

Symbol	Parameter	Minimum	Maximum	Unit	Notes
V _{CC}	V _{CC} relative to V _{SS}	-0.3	+7.0	V	
V _T	DC voltage applied on any pin excluding V _{CC} relative to V _{SS}	-0.3	+7.0	V	
T _{OPR}	Operating ambient temperature	-20	+70	°C	Commercial
T _{STG}	Storage temperature	-55	+125	°C	
T _{SOLDER}	Soldering temperature	-	+260	°C	10 s. max.
T _{BIAS}	Temperature under bias	-40	+85	°C	

Note: Permanent device damage may occur if **Absolute Maximum Ratings** are exceeded. Functional operation should be limited to the Recommended DC Operating Conditions detailed in this data sheet. Exposure to conditions beyond the operational limits for extended periods of time may affect device reliability.

DC Thresholds (T_A = T_{OPR}; V_{CC} = 5V ± 10%)

Symbol	Parameter	Rating	Unit	Tolerance	Notes
V _{REF}	Internal reference voltage	2.20	V	1%	T _A = 25°C
	Temperature coefficient	-3.9	mV/°C	10%	
V _{LTF}	TS maximum threshold	0.6 * V _{CC}	V	±0.03V	Low-temperature fault
V _{HTF}	TS hysteresis threshold	0.44 * V _{CC}	V	±0.03V	High-temperature fault
V _{TCO}	TS minimum threshold	0.4 * V _{CC}	V	±0.03V	Temperature cutoff
V _{HCO}	High cutoff voltage	0.60 * V _{CC}	V	±0.03V	
V _{MIN}	Under-voltage threshold at BAT	0.34 * V _{CC}	V	±0.03V	
V _{LCO}	Low cutoff voltage	0.8	V	±0.03V	
V _{SNS}	Current sense at SNS	0.250	V	10%	I _{MAX}
		0.05	V	10%	I _{COND}

bq2031

Recommended DC Operating Conditions (TA = TOPR)

Symbol	Parameter	Minimum	Typical	Maximum	Unit	Notes
V _{CC}	Supply voltage	4.5	5.0	5.5	V	
V _{TEMP}	TS voltage potential	0	-	V _{CC}	V	V _{TS} - V _{SNS}
V _{CELL}	Battery voltage potential	0	-	V _{CC}	V	V _{BAT} - V _{SNS}
I _{CC}	Supply current	-	2	4	mA	Outputs unloaded
I _{IZ}	DSEL tri-state open detection	-2	-	2	μA	Note 2
	IGSEL tri-state open detection	-2	-	2	μA	
V _{IH}	Logic input high	V _{CC} -1.0	-	-	V	QSEL, TSEL
		V _{CC} -0.3	-	-	V	DSEL, IGSEL
V _{IL}	Logic input low	-	-	V _{SS} +1.0	V	QSEL, TSEL
		-	-	V _{SS} +0.3	V	DSEL, IGSEL
V _{OH}	LED ₁ , LED ₂ , LED ₃ , output high	V _{CC} -0.8	-	-	V	I _{OH} ≤ 10mA
	MOD output high	V _{CC} -0.8	-	-	V	I _{OH} ≤ 10mA
V _{OL}	LED ₁ , LED ₂ , LED ₃ , output low	-	-	V _{SS} +0.8V	V	I _{OL} ≤ 10mA
	MOD output low	-	-	V _{SS} +0.8V	V	I _{OL} ≤ 10mA
	FLOAT output low	-	-	V _{SS} +0.8V	V	I _{OL} ≤ 5mA, Note 3
	COM output low	-	-	V _{SS} +0.5	V	I _{OL} ≤ 30mA
I _{OH}	LED ₁ , LED ₂ , LED ₃ , source	-10	-	-	mA	V _{OH} = V _{CC} -0.5V
	MOD source	-5.0	-	-	mA	V _{OH} = V _{CC} -0.5V
I _{OL}	LED ₁ , LED ₂ , LED ₃ , sink	10	-	-	mA	V _{OL} = V _{SS} +0.5V
	MOD sink	5	-	-	mA	V _{OL} = V _{SS} +0.8V
	FLOAT sink	5	-	-	mA	V _{OL} = V _{SS} +0.8V, Note 3
	COM sink	30	-	-	mA	V _{OL} = V _{SS} +0.5V
I _{IL}	DSEL logic input low source	-	-	+30	μA	V = V _{SS} to V _{SS} + 0.3V, Note 2
	IGSEL logic input low source	-	-	+70	μA	V = V _{SS} to V _{SS} + 0.3V
I _{IH}	DSEL logic input high source	-30	-	-	μA	V = V _{CC} - 0.3V to V _{CC}
	IGSEL logic input high source	-70	-	-	μA	V = V _{CC} - 0.3V to V _{CC}
I _L	Input leakage	-	-	±1	μA	QSEL, TSEL, Note 2

- Notes:**
1. All voltages relative to V_{SS} except where noted.
 2. Conditions during initialization after V_{CC} applied.
 3. SNS = 0V.

Impedance

Symbol	Parameter	Minimum	Typical	Maximum	Unit	Notes
R _{BATZ}	BAT pin input impedance	50	-	-	MΩ	
R _{SNSZ}	SNS pin input impedance	50	-	-	MΩ	
R _{TSZ}	TS pin input impedance	50	-	-	MΩ	
R _{PROG1}	Soft-programmed pull-up or pull-down resistor value (for programming)	-	-	10	kΩ	DSEL, TSEL, and QSEL
R _{PROG2}	Pull-up or pull-down resistor value	-	-	3	kΩ	IGSEL
R _{MTO}	Charge timer resistor	20	-	480	kΩ	

Timing (T_A = T_{OPR}; V_{CC} = 5V ±10%)

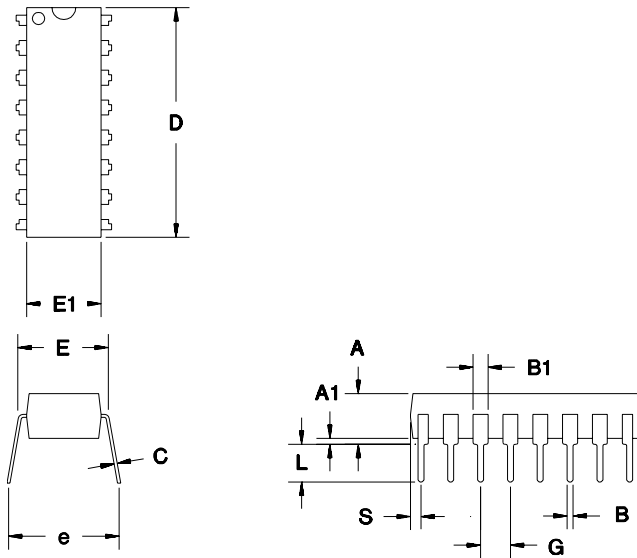
Symbol	Parameter	Minimum	Typical	Maximum	Unit	Notes
t _{MTO}	Charge time-out range	1	-	24	hours	See Figure 9
t _{QT1}	Pre-charge qual test 1 time-out period	-	0.02t _{MTO}	-	-	
t _{QT2}	Pre-charge qual test 2 time-out period	-	0.16t _{MTO}	-	-	
t _{DV}	Δ ² V termination sample frequency	-	0.008t _{MTO}	-	-	
t _{H01}	Pre-charge qual test 2 hold-off period	-	0.002t _{MTO}	-	-	
t _{H02}	Bulk charge hold-off period	-	0.015t _{MTO}	-	-	
F _{PWM}	PWM regulator frequency range	-	100		kHz	See Equation 9

Capacitance

Symbol	Parameter	Minimum	Typical	Maximum	Unit
C _{MTO}	Charge timer capacitor	-	0.1	0.1	μF
C _{PWM}	PWM R-C capacitance	-	0.001	-	μF

bq2031

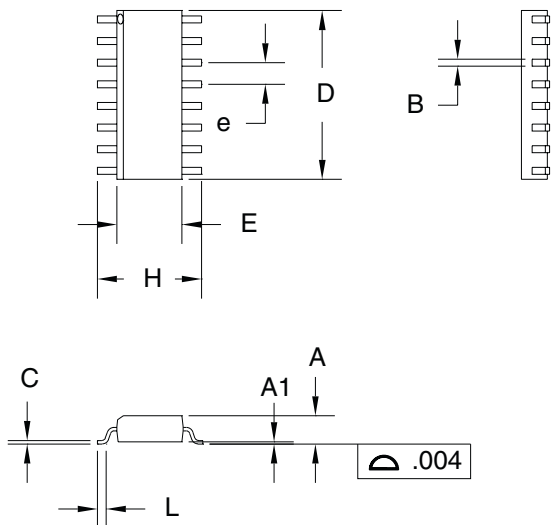
16-Pin DIP Narrow (PN)



16-Pin PN (0.300" DIP)

Dimension	Inches		Millimeters	
	Min.	Max.	Min.	Max.
A	0.160	0.180	4.06	4.57
A1	0.015	0.040	0.38	1.02
B	0.015	0.022	0.38	0.56
B1	0.055	0.065	1.40	1.65
C	0.008	0.013	0.20	0.33
D	0.740	0.770	18.80	19.56
E	0.300	0.325	7.62	8.26
E1	0.230	0.280	5.84	7.11
e	0.300	0.370	7.62	9.40
G	0.090	0.110	2.29	2.79
L	0.115	0.150	2.92	3.81
S	0.020	0.040	0.51	1.02

16-Pin SOIC Narrow (SN)



16-Pin SN (0.150" SOIC)

Dimension	Inches		Millimeters	
	Min.	Max.	Min.	Max.
A	0.060	0.070	1.52	1.78
A1	0.004	0.010	0.10	0.25
B	0.013	0.020	0.33	0.51
C	0.007	0.010	0.18	0.25
D	0.385	0.400	9.78	10.16
E	0.150	0.160	3.81	4.06
e	0.045	0.055	1.14	1.40
H	0.225	0.245	5.72	6.22
L	0.015	0.035	0.38	0.89

Data Sheet Revision History

Change No.	Page No.	Description	Nature of Change
1		Descriptions	Clarified and consolidated
1		Renamed	Dual-Level Constant Current Mode to Two-Step Current Mode V _{MCV} to V _{HCO} V _{INT} to V _{LCO} t _{UV1} to t _{QT1} t _{UV2} to t _{QT2}
1		Consolidation	Tables 1 and 2
1		Added figures	Start-up states Temperature sense input voltage thresholds Pulsed maintenance current implementation
1		Updated figures	Figures 1 through 6
1		Added equations	Thermistor divider network configuration equations
1		Raised condition	MOD V _{OL} and V _{OH} parameters from ≤5mA to ≤10μA
1		Corrected Conditions	VSNS rating from V _{MAX} and V _{MIN} to I _{MAX} and I _{MIN}
1		Added table	Capacitance table for C _{MTO} and C _{PWM}
2	6	Changed values in Figure 5	Was 51K; is now 10K
3	7, 10	Changed values in Equations 3 and 8	Was: I _{MAX} = 0.275V/R _{SNS} ; is now I _{MAX} = 0.250V/R _{SNS}
3	8	Changed values in Equation 4	Was: (V _{CC} - 0.275); is now (V _{CC} - 0.250V)
3	11	Changed rating value for VSNS in DC Thresholds table	Was 0.275; is now 0.250
4	11	T _{OPR}	Deleted industrial temperature range.

Notes: Change 1 = Dec. 1995 B changes from June 1995 A.
Change 2 = Sept. 1996 C changes from Dec. 1995 B.
Change 3 = April 1997 D changes from Sept. 1996 C.
Change 4 = June 1999 E changes from April 1997 D.

Ordering Information

bq2031

Package Option:

PN = 16-pin plastic DIP

SN = 16-pin narrow SOIC

Device:

bq2031 Lead Acid Charge IC

PACKAGING INFORMATION

Orderable Device	Status ⁽¹⁾	Package Type	Package Drawing	Pins	Package Qty	Eco Plan ⁽²⁾	Lead/Ball Finish	MSL Peak Temp ⁽³⁾
BQ2031PN-A5	ACTIVE	PDIP	N	16	25	Pb-Free (RoHS)	CU NIPDAU	N / A for Pkg Type
BQ2031PN-A5E4	ACTIVE	PDIP	N	16	25	Pb-Free (RoHS)	CU NIPDAU	N / A for Pkg Type
BQ2031SN-A5	ACTIVE	SOIC	D	16	40	Green (RoHS & no Sb/Br)	CU NIPDAU	Level-2-260C-1 YEAR
BQ2031SN-A5G4	ACTIVE	SOIC	D	16	40	Green (RoHS & no Sb/Br)	CU NIPDAU	Level-2-260C-1 YEAR
BQ2031SN-A5TR	ACTIVE	SOIC	D	16	2500	Green (RoHS & no Sb/Br)	CU NIPDAU	Level-2-260C-1 YEAR
BQ2031SN-A5TRG4	ACTIVE	SOIC	D	16	2500	Green (RoHS & no Sb/Br)	CU NIPDAU	Level-2-260C-1 YEAR

⁽¹⁾ The marketing status values are defined as follows:

ACTIVE: Product device recommended for new designs.

LIFEBUY: TI has announced that the device will be discontinued, and a lifetime-buy period is in effect.

NRND: Not recommended for new designs. Device is in production to support existing customers, but TI does not recommend using this part in a new design.

PREVIEW: Device has been announced but is not in production. Samples may or may not be available.

OBSOLETE: TI has discontinued the production of the device.

⁽²⁾ Eco Plan - The planned eco-friendly classification: Pb-Free (RoHS), Pb-Free (RoHS Exempt), or Green (RoHS & no Sb/Br) - please check <http://www.ti.com/productcontent> for the latest availability information and additional product content details.

TBD: The Pb-Free/Green conversion plan has not been defined.

Pb-Free (RoHS): TI's terms "Lead-Free" or "Pb-Free" mean semiconductor products that are compatible with the current RoHS requirements for all 6 substances, including the requirement that lead not exceed 0.1% by weight in homogeneous materials. Where designed to be soldered at high temperatures, TI Pb-Free products are suitable for use in specified lead-free processes.

Pb-Free (RoHS Exempt): This component has a RoHS exemption for either 1) lead-based flip-chip solder bumps used between the die and package, or 2) lead-based die adhesive used between the die and leadframe. The component is otherwise considered Pb-Free (RoHS compatible) as defined above.

Green (RoHS & no Sb/Br): TI defines "Green" to mean Pb-Free (RoHS compatible), and free of Bromine (Br) and Antimony (Sb) based flame retardants (Br or Sb do not exceed 0.1% by weight in homogeneous material)

⁽³⁾ MSL, Peak Temp. -- The Moisture Sensitivity Level rating according to the JEDEC industry standard classifications, and peak solder temperature.

Important Information and Disclaimer:The information provided on this page represents TI's knowledge and belief as of the date that it is provided. TI bases its knowledge and belief on information provided by third parties, and makes no representation or warranty as to the accuracy of such information. Efforts are underway to better integrate information from third parties. TI has taken and continues to take reasonable steps to provide representative and accurate information but may not have conducted destructive testing or chemical analysis on incoming materials and chemicals. TI and TI suppliers consider certain information to be proprietary, and thus CAS numbers and other limited information may not be available for release.

In no event shall TI's liability arising out of such information exceed the total purchase price of the TI part(s) at issue in this document sold by TI to Customer on an annual basis.

TAPE AND REEL INFORMATION



QUADRANT ASSIGNMENTS FOR PIN 1 ORIENTATION IN TAPE



*All dimensions are nominal

Device	Package Type	Package Drawing	Pins	SPQ	Reel Diameter (mm)	Reel Width W1 (mm)	A0 (mm)	B0 (mm)	K0 (mm)	P1 (mm)	W (mm)	Pin1 Quadrant
BQ2031SN-A5TR	SOIC	D	16	2500	330.0	16.4	6.5	10.3	2.1	8.0	16.0	Q1

TAPE AND REEL BOX DIMENSIONS



*All dimensions are nominal

Device	Package Type	Package Drawing	Pins	SPQ	Length (mm)	Width (mm)	Height (mm)
BQ2031SN-A5TR	SOIC	D	16	2500	346.0	346.0	33.0

IMPORTANT NOTICE

Texas Instruments Incorporated and its subsidiaries (TI) reserve the right to make corrections, modifications, enhancements, improvements, and other changes to its products and services at any time and to discontinue any product or service without notice. Customers should obtain the latest relevant information before placing orders and should verify that such information is current and complete. All products are sold subject to TI's terms and conditions of sale supplied at the time of order acknowledgment.

TI warrants performance of its hardware products to the specifications applicable at the time of sale in accordance with TI's standard warranty. Testing and other quality control techniques are used to the extent TI deems necessary to support this warranty. Except where mandated by government requirements, testing of all parameters of each product is not necessarily performed.

TI assumes no liability for applications assistance or customer product design. Customers are responsible for their products and applications using TI components. To minimize the risks associated with customer products and applications, customers should provide adequate design and operating safeguards.

TI does not warrant or represent that any license, either express or implied, is granted under any TI patent right, copyright, mask work right, or other TI intellectual property right relating to any combination, machine, or process in which TI products or services are used. Information published by TI regarding third-party products or services does not constitute a license from TI to use such products or services or a warranty or endorsement thereof. Use of such information may require a license from a third party under the patents or other intellectual property of the third party, or a license from TI under the patents or other intellectual property of TI.

Reproduction of TI information in TI data books or data sheets is permissible only if reproduction is without alteration and is accompanied by all associated warranties, conditions, limitations, and notices. Reproduction of this information with alteration is an unfair and deceptive business practice. TI is not responsible or liable for such altered documentation. Information of third parties may be subject to additional restrictions.

Resale of TI products or services with statements different from or beyond the parameters stated by TI for that product or service voids all express and any implied warranties for the associated TI product or service and is an unfair and deceptive business practice. TI is not responsible or liable for any such statements.

TI products are not authorized for use in safety-critical applications (such as life support) where a failure of the TI product would reasonably be expected to cause severe personal injury or death, unless officers of the parties have executed an agreement specifically governing such use. Buyers represent that they have all necessary expertise in the safety and regulatory ramifications of their applications, and acknowledge and agree that they are solely responsible for all legal, regulatory and safety-related requirements concerning their products and any use of TI products in such safety-critical applications, notwithstanding any applications-related information or support that may be provided by TI. Further, Buyers must fully indemnify TI and its representatives against any damages arising out of the use of TI products in such safety-critical applications.

TI products are neither designed nor intended for use in military/aerospace applications or environments unless the TI products are specifically designated by TI as military-grade or "enhanced plastic." Only products designated by TI as military-grade meet military specifications. Buyers acknowledge and agree that any such use of TI products which TI has not designated as military-grade is solely at the Buyer's risk, and that they are solely responsible for compliance with all legal and regulatory requirements in connection with such use.

TI products are neither designed nor intended for use in automotive applications or environments unless the specific TI products are designated by TI as compliant with ISO/TS 16949 requirements. Buyers acknowledge and agree that, if they use any non-designated products in automotive applications, TI will not be responsible for any failure to meet such requirements.

Following are URLs where you can obtain information on other Texas Instruments products and application solutions:

Products

Amplifiers	amplifier.ti.com
Data Converters	dataconverter.ti.com
DSP	dsp.ti.com
Clocks and Timers	www.ti.com/clocks
Interface	interface.ti.com
Logic	logic.ti.com
Power Mgmt	power.ti.com
Microcontrollers	microcontroller.ti.com
RFID	www.ti-rfid.com
RF/IF and ZigBee® Solutions	www.ti.com/lprf

Applications

Audio	www.ti.com/audio
Automotive	www.ti.com/automotive
Broadband	www.ti.com/broadband
Digital Control	www.ti.com/digitalcontrol
Medical	www.ti.com/medical
Military	www.ti.com/military
Optical Networking	www.ti.com/opticalnetwork
Security	www.ti.com/security
Telephony	www.ti.com/telephony
Video & Imaging	www.ti.com/video
Wireless	www.ti.com/wireless

Mailing Address: Texas Instruments, Post Office Box 655303, Dallas, Texas 75265
Copyright © 2008, Texas Instruments Incorporated